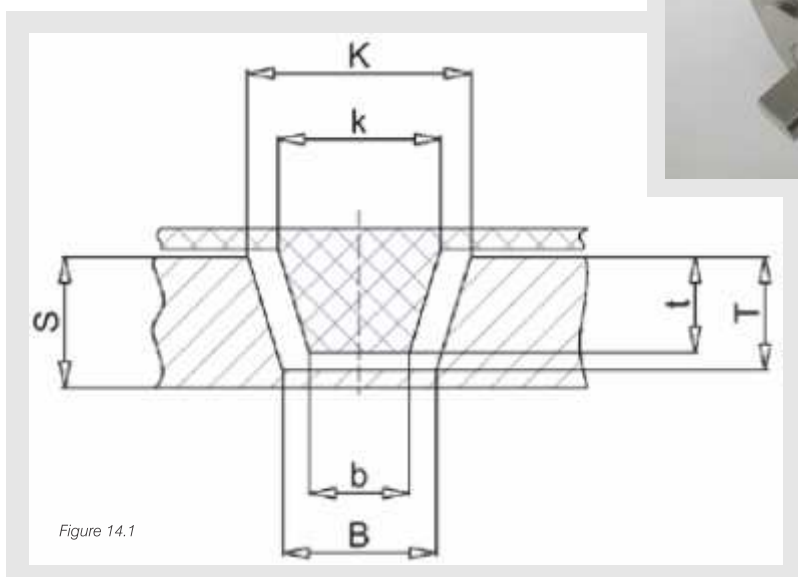


Axis TM Series Drum Shell Options

Rubber Coated Drum Motors with Vee Groove

Drum motors can be supplied with custom rubber lagging and machined vee grooves. This enables drum motors to be used to drive conveyor belts with guide tracking profiles. With this feature, good central running of the conveyor belt can be achieved. The vee groove dimensions, rubber type and shore hardness can be varied to suit each application. With this design, belt guidance should also be done by the slider or roller conveyor bed and not by the lagging profile exclusively.



Vee Groove Dimensions

V-NUT / V-	S _{MIN.} [mm]	S _{MAX.} [mm]	GROOVE			VEE GUIDE		
			K [mm]	B [mm]	T [mm]	k [mm]	b [mm]	t [mm]
K6	6	8	10	8	5	6	4	4
K8	6	8	12	8	6	8	5	5
K10	8	10	14	10	7	10	6	6
K13	10	1	17	11	9	13	7.5	8
K15	10	12	19	13	9	15	9.5	8
K17	12	14	21	13	12	17	9.5	11