

Axis TM82 Motorised Drum

General Features

- Diameter Ø82mm
- High duty helical steel gear unit
- Standard lengths from 200mm
- Asynchronous three-phase or single-phase motors
- 0.018kw to 0.12kw input power
- Insulation Class F (DIN EN 60034-1)
- IP66 Ingress Protection
- Mild steel or stainless steel construction
- Crowned drum surface
- Lubricated with synthetic oil
- Special coatings and sprockets available



Axis TM82 Dimensions

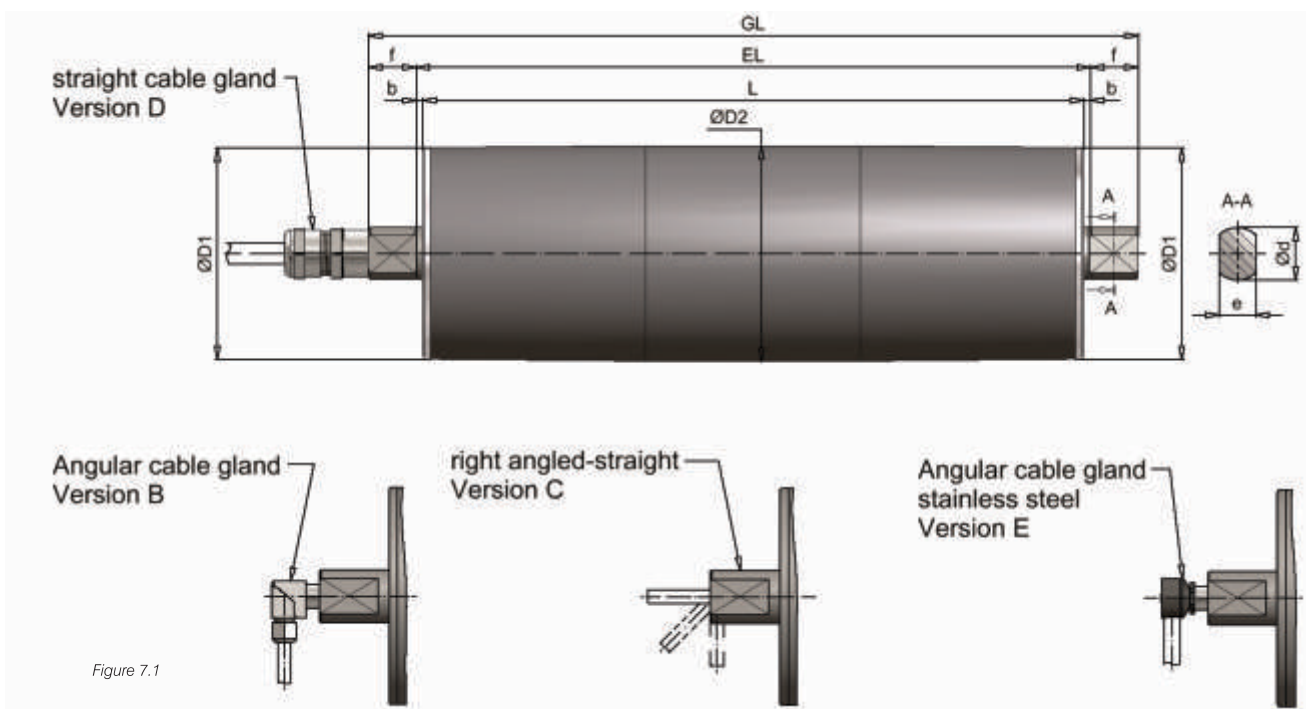


Figure 7.1

dimensions in mm

| | | DRUM MOTOR | | | | | | | STANDARD IP66 | | |
|------------|---------|------------|--------|---|-----|-----|----|----|---------------|-----|-------|
| Size | Type | Ø D1** | Ø D2** | a | Ø N | Ø d | e | f | f1 | b | EL |
| 82 | TM 82.1 | 80 | 81,5 | | | 20 | 14 | 18 | | 2,5 | L + 5 |
| GUIDE DRUM | | | | | | | | | | | |
| 82 | UT 82.1 | 80 | 81,5 | | | 20 | 14 | 18 | | 2,5 | L + 5 |

* With 1m cable

** Diameter with cylindrical drum design Ø81mm

Axis TM82 Motorised Drum

Axis TM82 Performance Data

| TYPE | POWER | BELT SPEED | ROTATION SPEED | BELT PULL | TORQUE | POWER INPUT AT 400V / 50Hz | DRUM LENGTH | WEIGHT |
|--------|-----------------|------------|----------------|-----------|--------|----------------------------|-------------|---------|
| | | v | n2 | F | T2 | | L min. | L=400mm |
| | [kW] | [m/s] | [1/min] | [N] | [Nm] | | [A] | [mm] |
| TM82.1 | 0,018 8-pole | 0,03 | 8 | 537 | 22 | 0,18 | 250 | 4,5 |
| | | 0,05 | 11 | 375 | 15 | | | |
| | | 0,06 | 14 | 305 | 12 | | | |
| | | 0,09 | 20 | 209 | 9 | | | |
| | | 0,12 | 29 | 146 | 6 | | | |
| | | 0,15 | 36 | 119 | 5 | | | |
| TM82.1 | 0,04 4-pole | 0,08 | 19 | 482 | 20 | 0,23 | 200 | 3,5 |
| | | 0,10 | 22 | 419 | 17 | | | |
| | | 0,14 | 32 | 292 | 12 | | | |
| | | 0,17 | 39 | 238 | 10 | | | |
| | | 0,25 | 58 | 163 | 7 | | | |
| | | 0,35 | 83 | 114 | 5 | | | |
| TM82.1 | 0,07 2-pole | 0,18 | 43 | 384 | 16 | 0,20 | 200 | 3,5 |
| | | 0,21 | 49 | 334 | 14 | | | |
| | | 0,30 | 70 | 233 | 9 | | | |
| | | 0,37 | 87 | 190 | 8 | | | |
| | | 0,54 | 126 | 130 | 5 | | | |
| | | 0,77 | 181 | 91 | 4 | | | |
| TM82.1 | 0,07 4-pole | 0,08 | 20 | 827 | 34 | 0,37 | 250 | 4,5 |
| | | 0,10 | 23 | 718 | 29 | | | |
| | | 0,14 | 33 | 501 | 20 | | | |
| | | 0,17 | 40 | 408 | 17 | | | |
| | | 0,25 | 59 | 279 | 11 | | | |
| | | 0,36 | 84 | 195 | 8 | | | |
| TM82.1 | 0,12 2-pole | 0,19 | 43 | 647 | 26 | 0,31 | 250 | 4,5 |
| | | 0,21 | 50 | 562 | 23 | | | |
| | | 0,31 | 72 | 392 | 16 | | | |
| | | 0,38 | 88 | 319 | 13 | | | |
| | | 0,55 | 129 | 218 | 9 | | | |
| | | 0,79 | 185 | 152 | 6 | | | |
| | | 0,97 | 227 | 124 | 5 | | | |

- Alternative performance data and speeds on request
- Indication of weight incl. oil filling (ready for operating)
- Additional weight: approx. 0,8 kg for 100mm add. length



Indicative Applications

Axis TM82 Design & Options

Standard Configuration

- Crowned shell, mild steel with rust protection paint
- Aluminium bearing covers
- Mild steel shafts with rust protection paint
- Helical gear unit with steel toothing (quiet)
- IP66 Ingress Protection rating
- Straight cable gland with 1m cable

Options

- Internal brake
 - Angular cable gland (with 1m cable)
 - Angular cable gland stainless steel (with 1m cable)
 - Right angled-straight cable gland (with 1m cable)
 - Mechanical backstop
 - Sprocket / toothed belt disc
 - Sensor bearing unit (rotary encoder)
 - Cylindrical drum shell, coated, zinc plated
 - Stainless steel design
 - Custom windings for special voltages
 - Thermal overload protection
 - IP67 Ingress Protection rating
 - Suitable for frequency converter use
 - Accessories for use with plastic modular conveyor belts
 - Grooved rubber lagging.
 - Vertical mounting (should be stated in the order)
 - Food-safe lubricant
 - Drum motor as cartridge
 - Single-phase motors on request
 - UL & CSA Certification
- Alternative custom designs also available - please enquire.

Axis TM82 Clamping Bearing

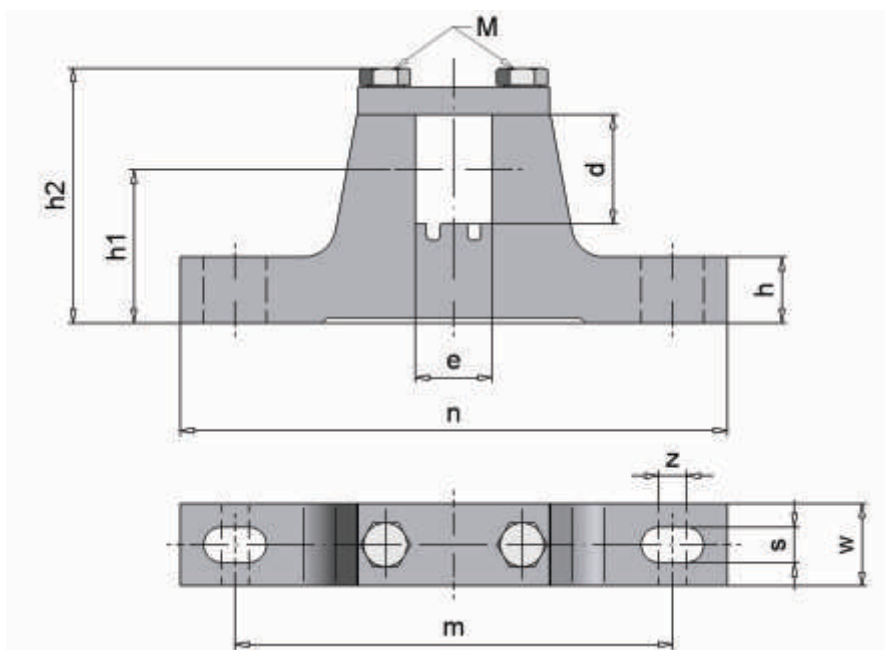


Figure 7.2

Dimensions in mm

| DRUM TYPE | CLAMPING BEARING | d | e | h | h1 | h2 | m | n | s | w | z | M | MATERIAL | ca. kg |
|-----------|------------------|----|----|----|----|----|----|-----|-----|----|---|----|----------|--------|
| TM82 | EL20/14 | 20 | 14 | 12 | 28 | 47 | 80 | 100 | 6,5 | 15 | 5 | M5 | Steel | 0,25 |